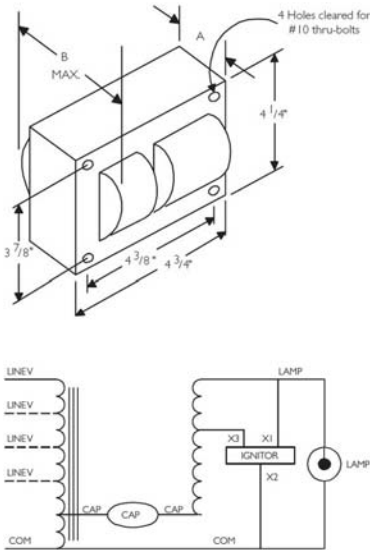




HPS
Lamp Ballast

Cat. No.: 4HPS400SCA
For 400W S51
60Hz CWA
Status: Avtive

DIMENSIONS AND DATA



Input Voltage (V)	120/208/240/277
CIRCUIT TYPE	CWA
Power Factor, min	High
Regulation	
Line Volts	±5%
Lamp Watts	±10%
Line Current (Amps)	
Operating	3.8/2.2/1.9/1.7
Starting	
UL TEMPERATURE RATINGS	
Class H 180°C	D/D/D/D
Class N 200°C	A/A/A/A
Min. Starting Temp	-20°F/-30°C
Nom. Open Circuit Voltage	198
Input Voltage At Lamp Dropout	
Input Power (W)	
Recommended Fuse	
CORE AND COIL	
Core Type	TL120
Dimension (cm)	12.06 x 10.80 x 5.9
Ballast Net Weight (lbs)	
Lead Lengths	12"
Vss, min.	-
Current slope (di/dt), min.	-
Off time (OT), max.	-
Overshoot (OS), max.	-
CAPACITOR	55µF±3% / 240V
Ignitor	HPSR24
Pulse height, V	2500-4000
Pulse width, µs @ V	1 us at 2250
Coil Material: Cu/Al	
Ordering Information (Add suffix for options)	60 Hz. Test Procedures
-WB With welded bracket	High Potential Test (V)
-I With ignitor	1 Minute 1600V
-DC With dry film capacitor	2 Second 1900V
-OC With oil filled capacitor	Open Circuit Voltage (V) 178-190
	Open Circuit Current (A) 1.407-2.35/0.81-1.35/0.70-1.17/0.60-1.01
	Short Circuit Current (A)
-K With distributor replacement kit (includes bracket, capacitor and ignitor as necessary.)	Input 2.68-4.47/1.55-2.58/1.34-2.24/1.16-1.94
	Secondary 6.25~6.85

Document No.:	MW_4HPS400SCA_A0
Date:	11/1/2012

Contact Us

SHANGHAI LITE-WAY LIGHTING APPLIANCE CO.,LTD.
 Add: Room 618, Block B, No. 2250 South Pudong Road,
 Pu Dong District, Shanghai, China. 200127
 Tel: (8621)5018 4301
 Fax: (8621)5018 4300
 E-mail: sales@litewaylighting.com
 Website: www.litewaylighting.com