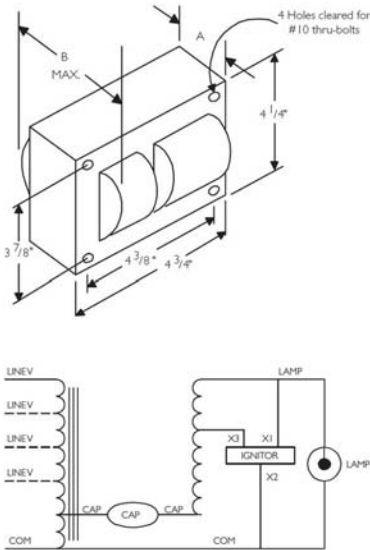




HPS  
Lamp Ballast

Cat. No.: 4HPS250SCA  
For 250W S50  
60Hz CWA  
Status: Active

**DIMENSIONS AND DATA**



Input Voltage (V)	120/208/240/277		
CIRCUIT TYPE	CWA		
Power Factor, min	High		
Regulation			
Line Volts	±5%		
Lamp Watts	±10%		
Line Current (Amps)			
Operating	2.5/1.5/1.3/1.1		
Starting			
UL TEMPERATURE RATINGS			
Class H 180°C	C/C/B/B		
Class N 200°C	A/A/A/A		
Min. Starting Temp	-20°F/-30°C		
Nom. Open Circuit Voltage	198		
Input Voltage At Lamp Dropout			
Input Power (W)			
Recommended Fuse			
<b>CORE AND COIL</b>			
Core Type	TL120		
Dimension (cm)	12.06 x 10.80 x 4.7		
Ballast Net Weight (lbs)			
Lead Lengths	12"		
Vss, min.	-		
Current slope (di/dt), min.	-		
Off time (OT), max.	-		
Overshoot (OS), max.	-		
<b>CAPACITOR</b>	35µF±3% / 240V		
<b>Ignitor</b>	HPSR24		
Pulse height, V	2500-4000		
Pulse width, µs @ V	1 us at 2250		
<b>Coil Material:</b> Cu/Al			
<b>Ordering Information</b> (Add suffix for options)	<b>60 Hz. Test Procedures</b>		
-WB	With welded bracket	High Potential Test (V)	
-I	With ignitor	1 Minute	1600V
-DC	With dry film capacitor	2 Second	1950V
-OC	With oil filled capacitor	Open Circuit Voltage (V)	180-190
		Open Circuit Current (A)	1.46-2.43/0.83-1.39/0.72-0.19/0.62-1.04
		Short Circuit Current (A)	
-K	With distributor replacement kit (includes bracket, capacitor and ignitor as necessary.)	Input	0.83-1.39/0.48-0.81/0.42-0.70/0.36-0.60
		Secondary	3.85-4.18

Document No.:	<b>MW_4HPS250SCA_A0</b>
Date:	<b>11/1/2012</b>

## Contact Us

SHANGHAI LITE-WAY LIGHTING APPLIANCE CO.,LTD.

Add: Room 618, Block B, No. 2250 South Pudong Road,  
Pu Dong District, Shanghai, China. 200127

Tel: (8621)5018 4301

Fax: (8621)5018 4300

E-mail: sales@litewaylighting.com

Website: www.litewaylighting.com