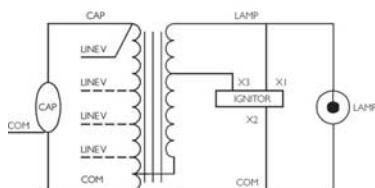
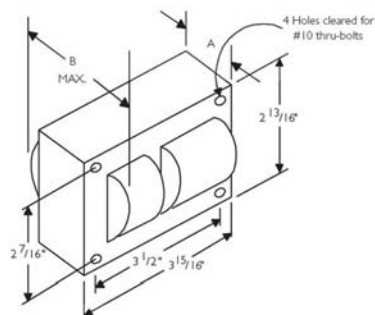




HPS
Lamp Ballast

Cat. No.: 4HPS150HXSCA
For 150W S55
60Hz HX
Status: Active

DIMENSIONS AND DATA



Input Voltage (V)	120/208/240/277		
CIRCUIT TYPE	HX		
Power Factor, min	High		
Regulation			
Line Volts	±5%		
Lamp Watts	±10%		
Line Current (Amps)			
Operating	1.5/0.9/0.8/0.7		
Starting			
UL TEMPERATURE RATINGS			
Class H 180°C	D/C/B/B		
Class N 200°C	A/A/A/A		
Min. Starting Temp	-20°F/-30°C		
Nom. Open Circuit Voltage	110		
Input Voltage At Lamp Dropout			
Input Power (W)			
Recommended Fuse			
CORE AND COIL			
Core Type	TL100		
Dimension (cm)	10.00 x 7.14 x 6.5		
Ballast Net Weight (lbs)			
Lead Lengths	12"		
Vss, min.	-		
Current slope (di/dt), min.	-		
Off time (OT), max.	-		
Overshoot (OS), max.	-		
CAPACITOR (Optional)	14µF±3% / 280V		
Ignitor	HPSR1		
Pulse height, V	2500-4000		
Pulse width, µs @ V	1 us at 2250		
Coil Material: Cu/Al			
Ordering Information (Add suffix for options)	60 Hz. Test Procedures		
-WB	With welded bracket	High Potential Test (V)	
-I	With ignitor	1 Minute	1600V
-DC	With dry film capacitor	2 Second	1900V
-OC	With oil filled capacitor	Open Circuit Voltage (V)	
		Open Circuit Current (A)	
		Short Circuit Current (A)	
-K	With distributor replacement kit (includes bracket, capacitor and ignitor as necessary.)	Input	
		Secondary	

Document No.:	MW_4HPS150HXSCA_A0
Date:	11/1/2012

Contact Us

SHANGHAI LITE-WAY LIGHTING APPLIANCE CO.,LTD.
 Add: Room 618, Block B, No. 2250 South Pudong Road,
 Pu Dong District, Shanghai, China. 200127
 Tel: (8621)5018 4301
 Fax: (8621)5018 4300
 E-mail: sales@litewaylighting.com
 Website: www.litewaylighting.com